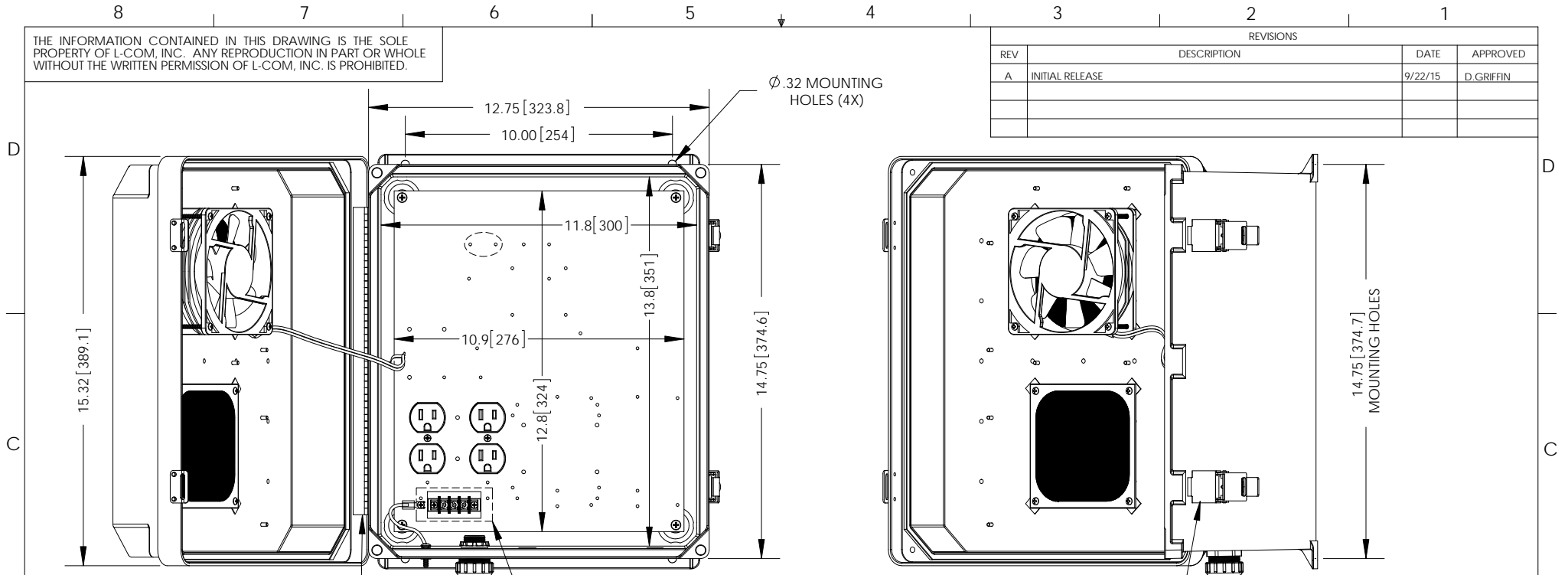


THE INFORMATION CONTAINED IN THIS DRAWING IS THE SOLE PROPERTY OF L-COM, INC. ANY REPRODUCTION IN PART OR WHOLE WITHOUT THE WRITTEN PERMISSION OF L-COM, INC. IS PROHIBITED.

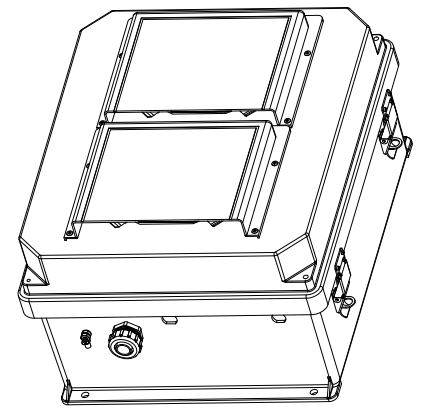
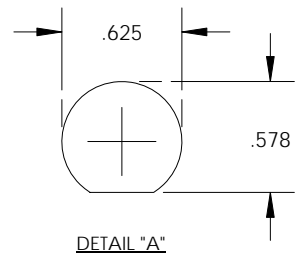
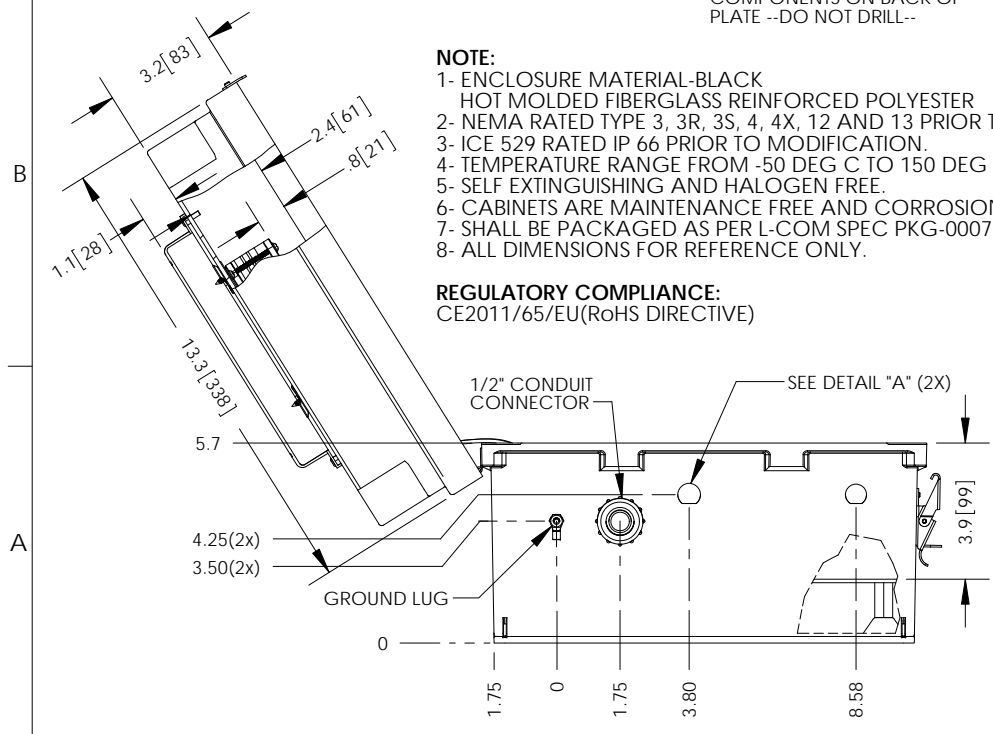
REVISIONS			
REV	DESCRIPTION	DATE	APPROVED
A	INITIAL RELEASE	9/22/15	D.GRIFFIN



HIDDEN LINES REPRESENT COMPONENTS ON BACK OF PLATE --DO NOT DRILL--

- NOTE:**
- ENCLOSURE MATERIAL-BLACK HOT MOLDED FIBERGLASS REINFORCED POLYESTER
 - NEMA RATED TYPE 3, 3R, 3S, 4, 4X, 12 AND 13 PRIOR TO MODIFICATIONS.
 - ICE 529 RATED IP 66 PRIOR TO MODIFICATION.
 - TEMPERATURE RANGE FROM -50 DEG C TO 150 DEG C.
 - SELF EXTINGUISHING AND HALOGEN FREE.
 - CABINETS ARE MAINTENANCE FREE AND CORROSION RESISTANT.
 - SHALL BE PACKAGED AS PER L-COM SPEC PKG-00070
 - ALL DIMENSIONS FOR REFERENCE ONLY.

REGULATORY COMPLIANCE:
CE2011/65/EU(RoHS DIRECTIVE)



UNLESS OTHERWISE SPECIFIED, DIMENSIONS ARE IN INCHES [mm] DIMENSIONAL TOLERANCES: .X = ±.1 [2.54] .XX = ±.01 [25] .XXX = ±.005 [13]	APPROVALS DRAWN BY B.PUCHASKI	DATE 08/27/15		45 BEECHWOOD DRIVE NORTH ANDOVER, MA 01845		
	CHECKED BY P.PESA	08/27/15			CATEGORY ENCLOSURE	
	ANGULAR TOLERANCES: ALL = ± 1°	APPROVED BY P.PESA	08/27/15	PRODUCT DESCRIPTION NEMA ENCLOSURE 14 X 12 X 7 WEATHERPROOF 120VAC W/FAN, BLACK		
	PROJECTION 	CONFIGURATION DETAILS OF UNDIMENSIONED FEATURES MAY VARY	COLOR VARIATIONS MAY OCCUR	SIZE A	FSCM NO. 43321	DWG. NO. NBB141207-10F
SCALE: NONE			CAD FILE: NBB141207-10F.SLDDRW		SHEET 1 OF 1	