

6

5

4

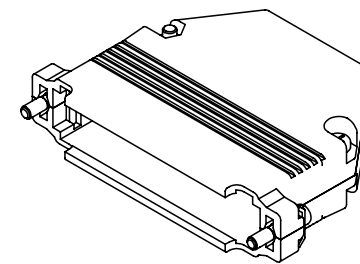
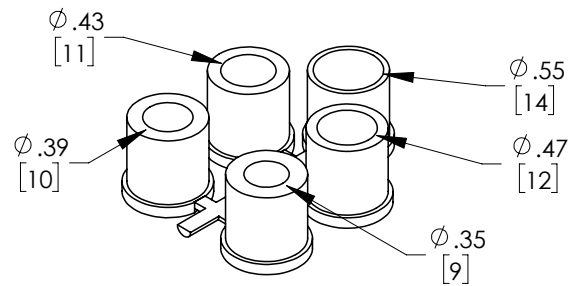
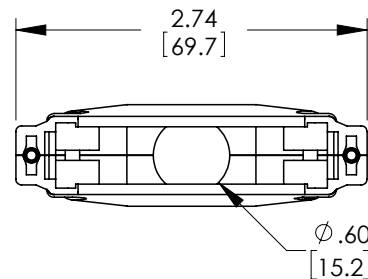
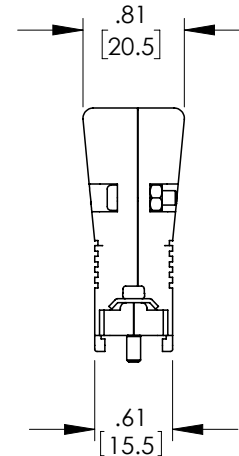
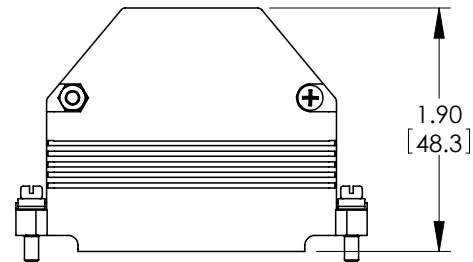
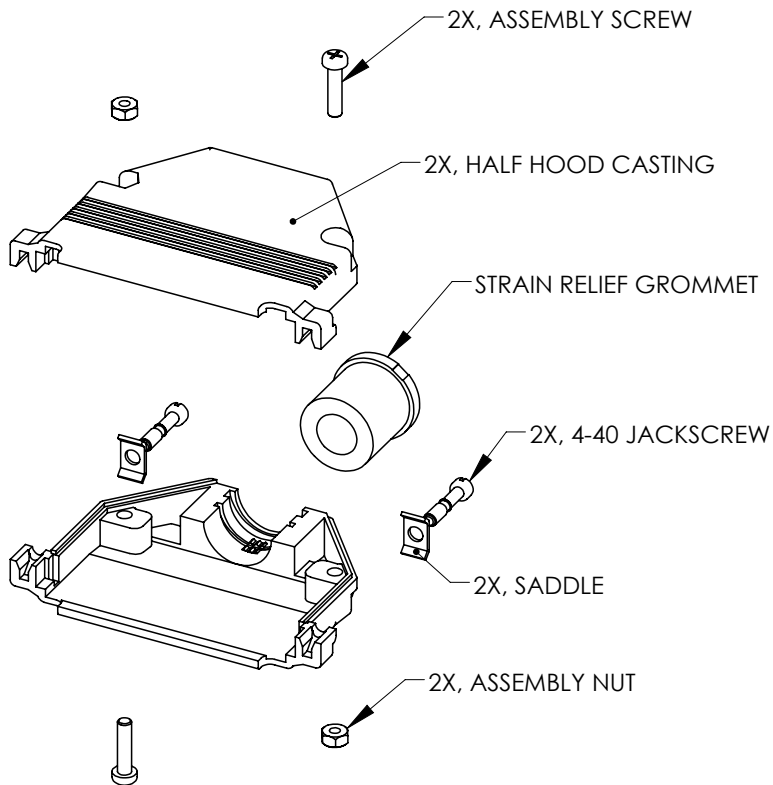
3

2

1

## REVISION

ZONE	REV	DESCRIPTION	DATE	CHANGED BY	APPROVED
	A	INITIAL RELEASE	07/10/2025	SLI	WLI

**NOTES:**

**MATERIAL:**  
 HOOD: DIE-CAST ZINC ALLOY  
 JACKSCREWS: STAINLESS STEEL  
 ASSEMBLY HARDWARE: STEEL  
 STRAIN RELIEF GROMMETS: TPE, BLACK

**FINISH:**  
 HOOD: NICKEL PLATED, MATTE FINISH ON MAJOR SURFACES  
 ASSEMBLY HARDWARE: NICKEL PLATED

**MISCELLANEOUS:**  
 INTENDED FOR USE WITH 37 PIN STANDARD AND 62 PIN HIGH DENSITY D-SUBMINIATURE CONNECTORS.  
 SUPPLIED WITH 5 STRAIN RELIEF GROMMETS FOR CABLES HAVING DIAMETERS RANGING FROM .354 TO .551 INCH.

**REGULATORY COMPLIANCE:**  
 EU RoHS DIRECTIVE (MOST RECENT RELEASED VERSION)

THE INFORMATION CONTAINED IN THIS DRAWING IS THE SOLE PROPERTY OF INFINITE ELECTRONICS, INC. ANY REPRODUCTION IN PART OR WHOLE WITHOUT THE WRITTEN PERMISSION OF INFINITE ELECTRONICS, INC. IS PROHIBITED. THESE COMMODITIES, TECHNOLOGY OR SOFTWARE WERE EXPORTED FROM THE UNITED STATES IN ACCORDANCE WITH THE EXPORT ADMINISTRATION REGULATIONS. DIVERSION CONTRARY TO U.S. LAW PROHIBITED.

UNLESS OTHERWISE SPECIFIED  
 LEADING DIMENSIONS ARE INCHES  
 DIMENSIONS IN [ ] ARE MILLIMETERS

**TOLERANCES:**  
 X = ±.2 [5]      FRACTIONS  
 XX = ±.02 [0.5]      ± 1/32  
 .XXX = ±.005 [0.13]      ANGLES ± 1°

**CABLE LENGTH TOLERANCES:**  
 ≤12 [305] = +1 [25] / -0  
 >12 [305] ≤ 60 [1524] = +2 [51] / -0  
 >60 [1524] ≤ 120 [3048] = +4 [102] / -0  
 >120 [3048] ≤ 300 [7620] = +6 [152] / -0  
 >300 [7620] = +5% / -0

ALL DIMENSIONS ARE FOR REFERENCE ONLY  
 AND SUBJECT TO CHANGE WITHOUT NOTICE.  
 UN-DIMENSIONED/NON-CRITICAL FEATURES  
 MAY VARY IN SIZE AND LOCATION  
 COLORS MAY VARY

**L-com**  
 an INFINIT@ brand

Website: www.L-com.com  
 Phone: 1.800.341.5266 | 1.978.682.6936



INTERPRET ALL DIMENSIONS AND  
 TOLERANCES PER ASME Y14.5

SCALE	SHEET
NONE	1 OF 1

DESCRIPTION

Assembled D-Sub Metal Hood Kit, DB37/HD62

SIZE	CAGE CODE	DRAWN BY	ITEM NO.	REV
A	43321	SLI	HKDB37AM	A

6

5

4

3

2

1